


AERA INFLEX CYLINDER


Pendant - Flat Canopy



 This product must be installed in accordance with the National Electrical Code and all applicable local codes, by a person familiar with the construction and operation of the product, and the hazards involved. Proper grounding is required for safety.

Ce produit doit être installé suivant le code national de l'électricité, ainsi que tous les codes locaux applicables, par une personne familière avec la construction et le fonctionnement du produit, ainsi que tous les risques qui y sont associés. La mise à terre électrique est obligatoire pour la sécurité.

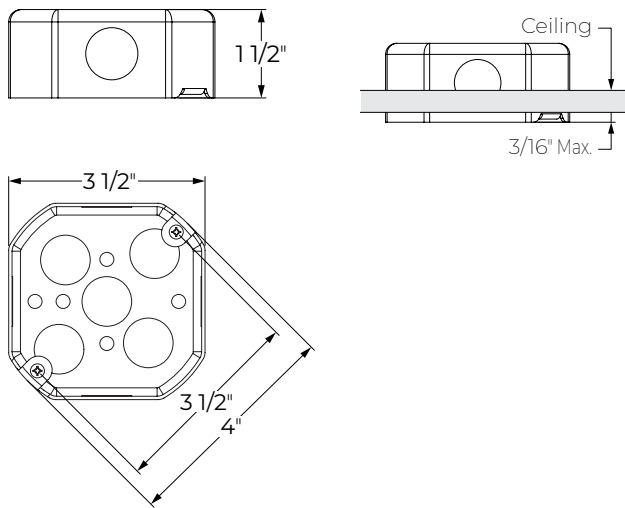
 Wire dimming conductors as Class 1.

 For electrical connections, please refer to the [wiring diagram guide](#).



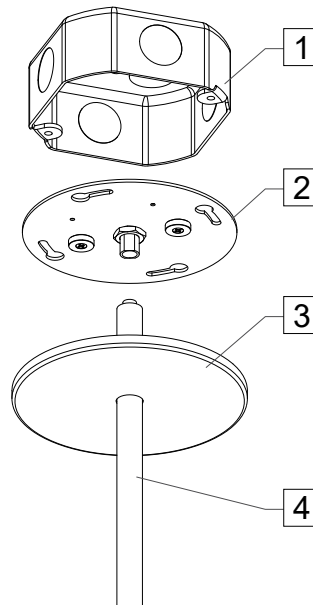
OVERVIEW

Junction box (by others)

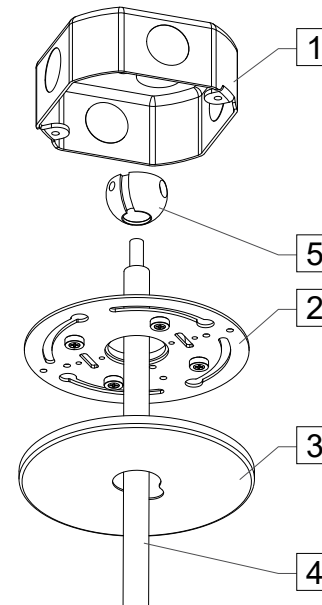


Standard 4" octagonal junction box

Stem



Swivel stem



Index

Go to pages related to product configuration.

Stem.....P.2
Swivel stem.....P.3

Items list

1	Standard J-box (by others)
2	Mounting plate
3	Flat canopy
4	Stem
5	Swivel Stem ball



Tools Required

Philips screwdriver
3/16" drill bit (for swivel stem)



Installation steps are shown with remote driver, also applicable for integral driver.



For remote driver box, please refer to the [remote driver installation sheet](#) for more information.



AERA INFLEX CYLINDER

Pendant - Flat Canopy



STEM

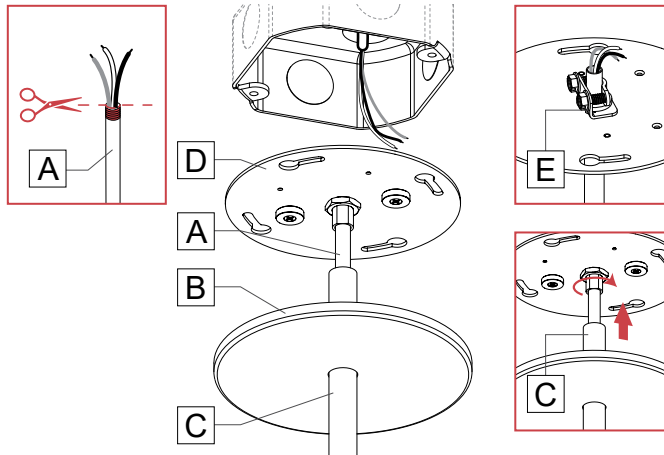
1 INSTALL POWER CORD AND STEM.

Adjust the cable length by cutting and stripping the fixture cable [A] to the desired length for the height of the fixture.

Slide the canopy [B] over the stem [C] and pass the cable [A] through the stem and the mounting plate [D].

Tighten the cord grip [E].

Mount the stem [C] on the threaded nipple.

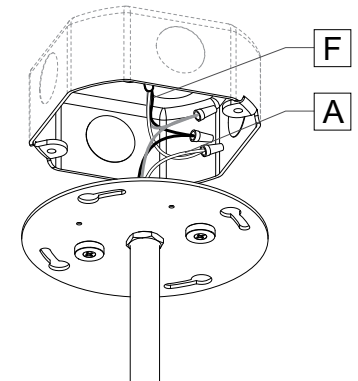


2 MAKE ELECTRICAL CONNECTIONS.

Make electrical connections between the fixture cable [A] and the remote driver feed [F] using wire nuts (by others).

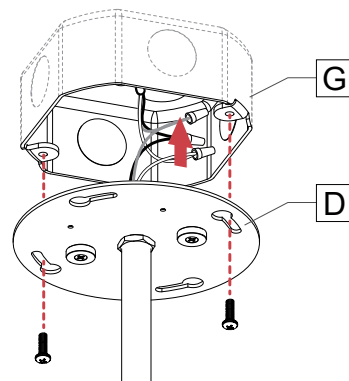
Note: Number of wires may vary.

Warning: A luminaire with more than one power supply connection means shall be connected to only one branch circuit.



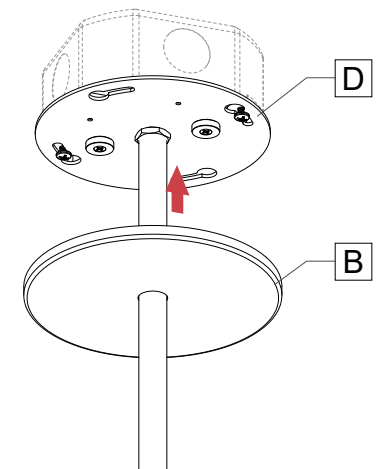
3 FIX MOUNTING PLATE.

Mount and turn the mounting plate [D] to place on the junction box [G]. Tighten screws to secure the mounting plate [D] to the junction box.



4 MOUNT CANOPY.

Cover the mounting plate [D] with the canopy [B] under the provided magnets.



AERA INFLEX CYLINDER

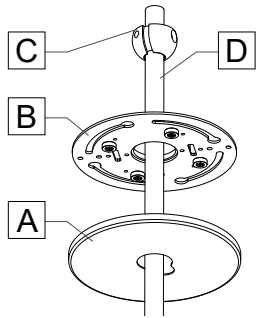
Pendant - Flat Canopy



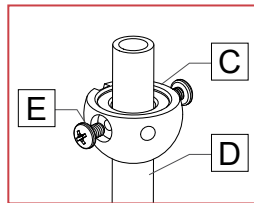
SWIVEL STEM

1 ADJUST CABLE/STEM LENGTH.

Slide the canopy [A], the mounting plate [B] and the swivel ball [C] over the stem [D].

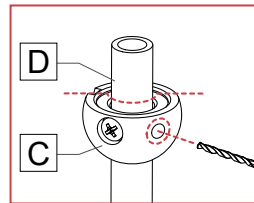


Adjust the stem [D] to the desired length for the height of the fixture. Position the swivel ball [C] at the level of desired stem length. Lock the swivel ball using the set screws [E].

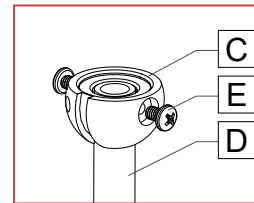


Drill a hole through both sides of stem [D].

Cut off the excess stem length (above the swivel ball [C]).

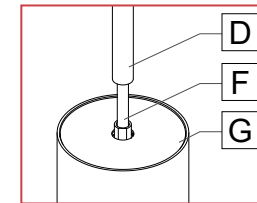


Loosen the set screws [E] and align the swivel ball [C] to the new holes. Tighten the set screws [E] to lock the stem [D].

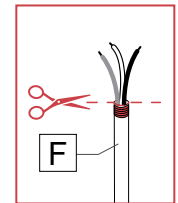


Pass the cable [F] through the stem [D].

Tighten the stem [D] on the top plate [G] of the cylinder.



Adjust the cable length by cutting and stripping the fixture cable [F] to the desired length for the height of the fixture. Remove any excess cable length.



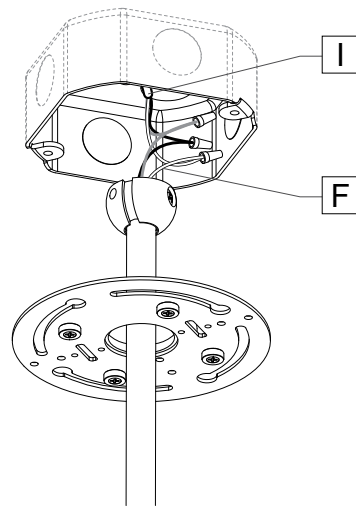
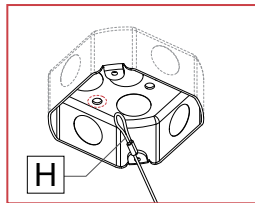
2 MAKE ELECTRICAL CONNECTIONS.

Fix the safety cable [H] onto the junction box.

Make electrical connections between the fixture cable [F] and the remote driver feed [I] using wire nuts (by others).

Note: Number of wires may vary.

Warning: A luminaire with more than one power supply connection means shall be connected to only one branch circuit.

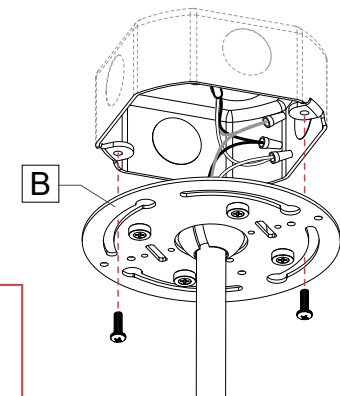
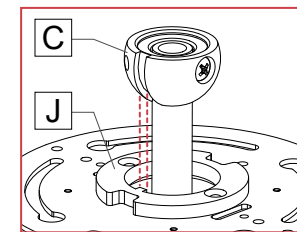


3 FIX MOUNTING PLATE.

Place the swivel ball [C] on the swivel bracket adaptor [J].

Note: Make sure the swivel ball is align with the swivel bracket adaptor.

Fix the mounting plate [B] onto the junction box using screws.



AERA INFLEX CYLINDER

Pendant - Flat Canopy



4 MOUNT CANOPY.

Cover the mounting plate [B] with the canopy [A] under the provided magnets.

